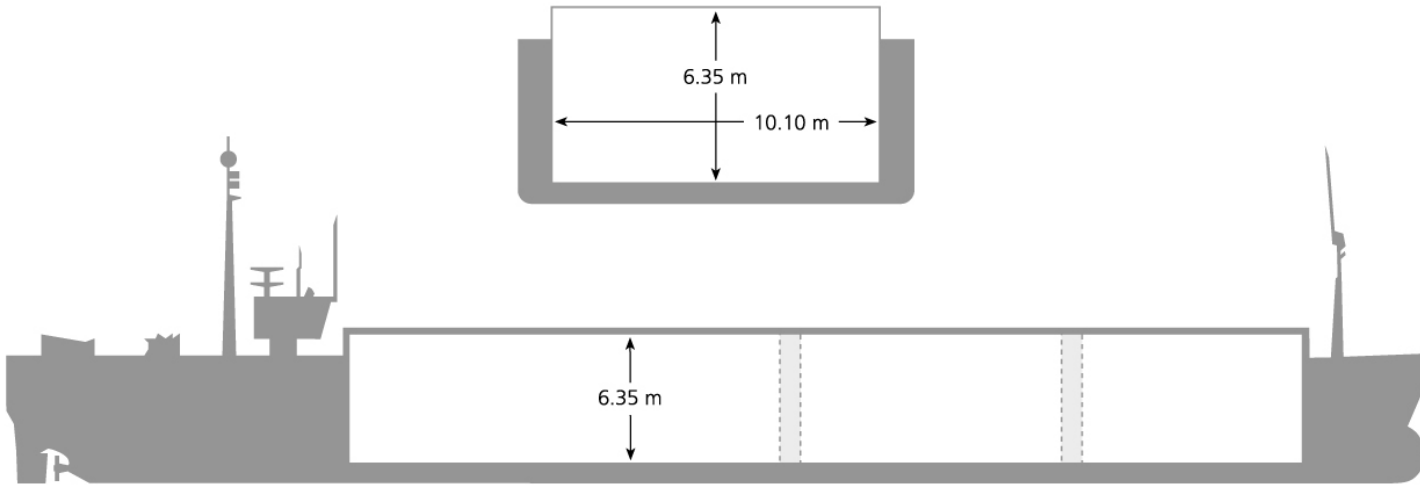
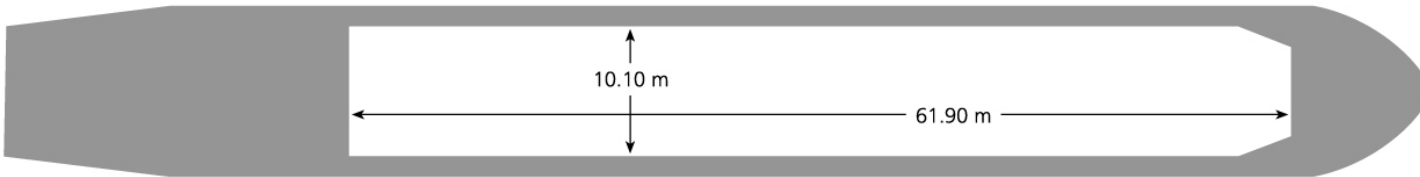
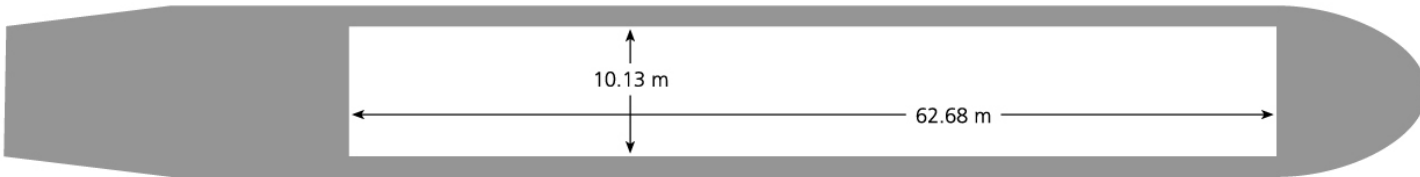


M/V NORDSTRAND

River trader fitted for heavy cargo, containers, bulk cargos up to 3 grades.



Removable Divisible Bulkheads



Dimensions in metres

PRINCIPAL DIMENSIONS OF THE NORDSTRAND CALLSIGN: 8PNW Year of build 1990

Class: Germanischer Lloyd 100 A5M	
Length overall	88.30 m
Length betw. perps	84.13 m
Beam	12.50 m
Loaded draught summer	4.60 m
Summer DWCC	2850 mt
Winter DWCC	2775 mt
Deadweight	2986 tdw
Gross tonnage	1960
Nett tonnage	961
Draught in ballast	2.85 m
Air draught max. in ballast	8.65 m
Trading area	Worldwide
Hold capacity grain	141457 cub ft
Hold capacity bales	139729 cub ft
Containers	154
Tank top (max load)	12.5 mt per sq.m
Hatches	1.7 mt per sq.m
P & I Club	NNPC
Flag	Barbados
Telex	0581 431 407 310 NORD X

Tank capacity

Fuel (Gasoil)	200 mt
Fresh water	75 mt

Engine equipment

Main engine	Caterpillar
Output	1500 BHP
Consumption	5.5 mt on 10 knts

Carisbrooke Shipping Limited



10 MILL HILL ROAD
COWES
ISLE OF WIGHT
PO31 7EA
UNITED KINGDOM

Telephone: +44 (0)1983 284100
Fax: +44 (0)1983 290111
Telex: 86771 CASHIP G
E-Mail: mail@caship.com